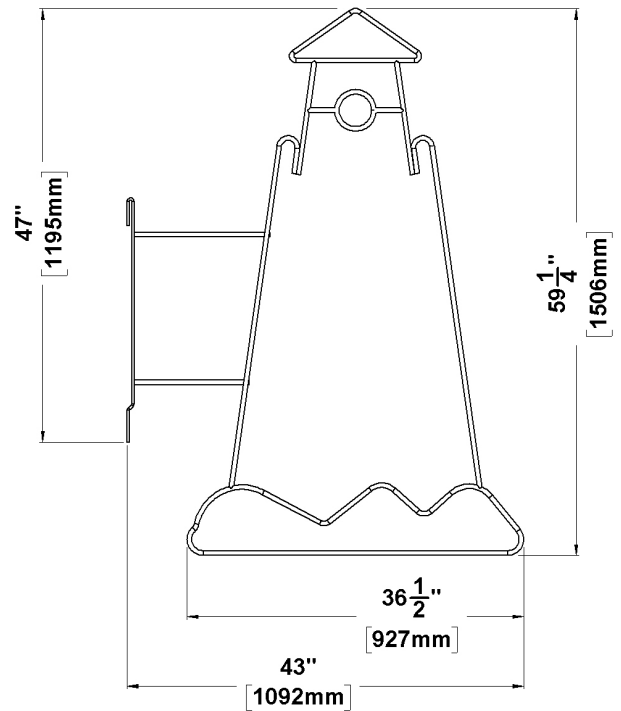


Light House



Height	59.3"	1506mm
Width	36.5"	927mm
Span	43"	1092mm
Weight	23.8 lbs	10.80 kg
Power	50w	120v

Materials

- Zinc Plated Steel Frame and Mounting Bracket For Maximum Rust Protection
- 1/2" Commercial Grade 120V LED Rope Light with 1" Diode Spacing
- All display items are equipped with 120 VAC plugs with adequate cabling for connection to duplex receptacle
- All Units are CSA Approved

Finishes

- Powdercoated Steel Frame (White) and Mounting Bracket (Black)
- Rope Light Colour Options Include Warm White, Pure White, Blue, Green, Yellow, Red, Orange, Pink, and Purple
- Optional Colour Match Mounting Bracket
- Optional Wall Mount Application
- Optional Aluminum Frame

To Specify

- Side Mount or Wall Mount
- Rope Light Colour
- Optional Colour Match Mounting Bracket
- Optional Aluminum Frame



Classic Displays
Right for you since 1977