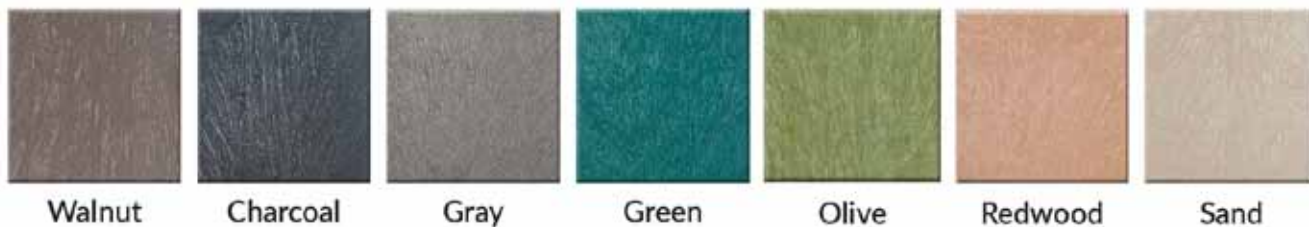


# CONTOUR 8'



A straightforward and stream-lined appearance, the 8' Contour bench offers an accessible 18" seat height and optional arms. With its three legged design and surface mount or in-ground options, the versatile Contour bench makes both installation and landscaping a breeze.

## Standard Colour Options



**Classic Displays**

Right for you since 1977

# CONTOUR 8'

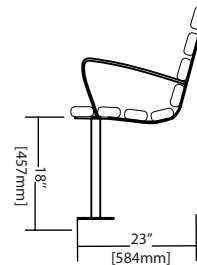
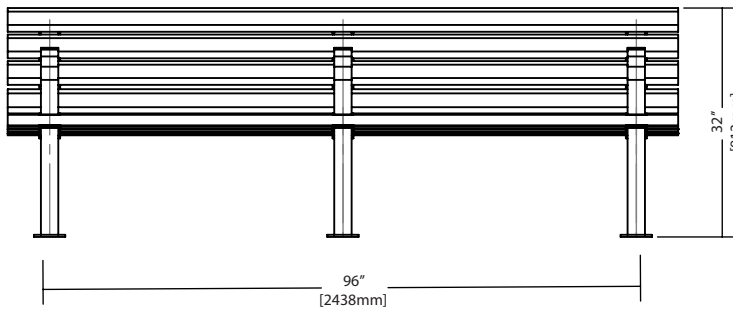


## MATERIALS

- 100% Recycled Plastic Lumber
- Electrostatically Zinc Plated Steel Components
- Stainless Steel Hardware

## FINISHES

- Glossy black powdercoat finish resistant to impact, moisture, chipping, corrosion and fading
- Slats Available in Grey, Walnut, Sand, Green, Redwood, Olive and Charcoal
- Available in a Surface Mount with pre-drilled feet or in-ground mount



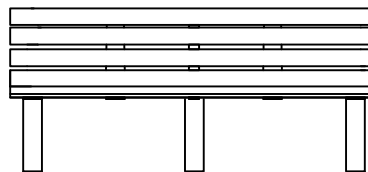
## TO SPECIFY

- Slat Colour
- Frame / Ends Colour
- Arm Configuration
- Surface Mount or In-Ground

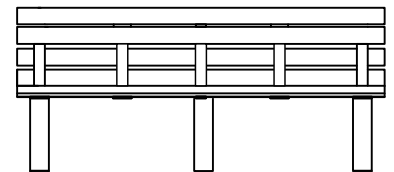
Length	96"	2438mm
Depth	23"	584mm
Height	32"	813mm
Seat Height	18"	457mm
Weight	200 lbs	90.7 kg

## Optional Arm Configurations

### No Arms



### Intermediate Arm



**Classic Displays**  
Proud Right for you since 1977

# CONTOUR 8'

## Bench Options

### Custom Bronze or Aluminum Plaque



### Custom Standard Plaque



### Logo Insert



### Standard Colour Options



• Min. Quantities May Apply

• Additional Customization Available

# CONTOUR 8'

## Installation- Surface Mount

- For Benches with pre-drilled Legs

### Tools and Hardware Required:

- Hammer Drill
- Masonry Bit
- Expanding concrete/wedge anchor (stainless steel recommended) with locking nut

### Instructions:

- Drill ½" deeper than anchor will penetrate
  - Deeper anchor will offer better hold
- Drill hole in concrete equal to diameter of anchor
  - Depth of Wedge Anchor = Thickness of material fastened + Minimum embedment
  - Leave space for nut and washer
- Insert wedge anchor into concrete
  - Turn nut clockwise while pulling the anchor up
  - Wedge clip between anchor & concrete.

### Notes:

- Do not install anchor within 10 anchor diameters of other anchor, or within 5 anchor diameters of unsupported edge.
- Install on even concrete surface



**Classic Displays**

Proud Right for you since 1977

info@classicdisplays.com · 1-800-461-6635 · www.classicdisplays.com · 5959 Ambler Drive · Mississauga ON · L4W 2K2

# CONTOUR 8'

## Warranty

### Classic Displays Site Furniture Warranty Statement

Classic Displays warrants to the original owner of a Classic Displays product for five (5) years from the date of substantial completion, that the product they receive will be free from defective workmanship and materials when subjected to proper and normal uses.

### Limitations of Liability

Classic Displays warrants that should defects occur with a Classic Displays product, the company herein recognizes that it will produce a replacement product and ship it to the original owner at no charge.

Classic Displays shall not be liable for any consequential damages that the product may receive through incorrect usage, incorrect assembly or storage, vandalism, accidents, UV fading, visible rust, damage caused by animals, adverse environment conditions, or used in conjunction with materials harmful to the product (i.e road salt). This warranty does not cover wear and tear, and maintenance work is not considered a warranty issue.

In the event that defective materials are received, please advise our office immediately to expedite replacement materials.

**Acceptance of Merchandise:** Claims of products that are lost or damaged in transit are the responsibility of the customer in reporting the claim. When accepting shipment, missing cartons or visible damage must be noted on the carrier's bill of lading/receipt of delivery, and reported to our office immediately. Claims must be filed with the delivering carrier as soon as possible or may result in refusal of claim by the carrier.

## Maintenance

### Recycled Plastic Lumber:

- Using a plastic bristled brush, clean with mild soap, or water & vinegar solution.
- To remove grease, use a household grease remover.
- To remove scratches, lightly sand or brush, or use stainless steel brush.
- Restore surface by scrubbing with water & SOS pad.
- Rinse with water
- Power wash or pressure jet clean to remove graffiti & UV degradation (max 1200psi & maintain distance of 5 inches or greater)
- Use electric heat-gun or acetylene torch with metal putty knife to repair minor scratches.
- Graffiti remover with "Wipeout" by "Off the Walls"

### Aluminum & Steel:

- Wash with mild soap & soft cloth. Touch up with paint pen

\*Product design and specifications are the intellectual property of Classic Displays and may not be recreated without Classic Displays written consent.



Classic Displays

Right for you since 1977