

# CLASSIC BIKE REPAIR STATION



The Classic Bike Repair Station is constructed from weather resistant heavy gauge steel, providing the tools required for basic repair and maintenance of bicycles in both interior and exterior environments. The user-friendly design offers 9 essential high quality tools tethered to braided stainless steel aircraft cables which are adequately spaced to avoid tangling and secured to the integrated tool box with tamper-proof fasteners. The integrated tool box is fastened to the stand with security bolts making service and warranty work easy.

The robust protected hanger arms are ergonomically designed for universal bike mounting so pedals and wheels can hang freely, permitting cyclists with virtually any size or style of bicycle to perform required maintenance. The Classic Bike Repair Station can be branded or personalized with custom vinyl stickers on 3 sides of the unit, and is available in a variety of finishes including Natural Galvanized, Zinc-Plated Powder Coated Steel, or 316 Marine Grade Stainless Steel.



**Classic Displays**

Right for you since 1977

# CLASSIC BIKE REPAIR STATION

## Product Data Sheet



### FEATURES

- Interior/Exterior Usage (Weather resistant)
- Universal Bike Mounting (Seat or top tube)
- Predrilled heavy gauge base plate for ground mounting
- Optional Custom Vinyl Stickers on sides/rear of unit
- Removable tool box for easy servicing
- Vandal Resistant Design with Tamper Proof Hardware

### PERTINENT INFORMATION

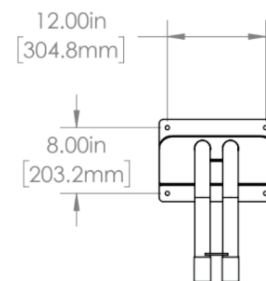
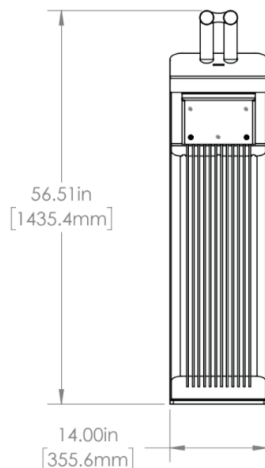
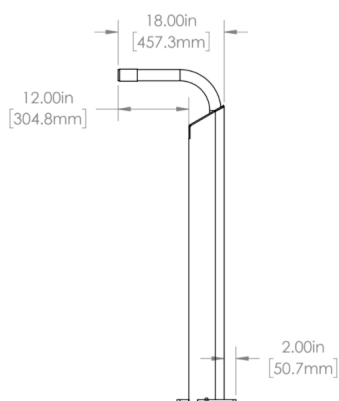
- AODA/ADA compliant design
- Meets most municipal accessibility design standards

### MATERIALS

- Braided 3/16" Stainless Steel Aircraft Cable
- Tamper Proof Stainless Steel Hardware

### FINISHES

- Galvanized or Zinc-Plated steel with Powdercoat Finish
- Optional 316 Stainless Steel Finish



Length	14"	356mm
Width (Depth)	20"	508mm
Height	56.5"	1435mm
Baseplate	14" x 10 "	356mm x 254mm
Hanger Arms Extension	12"	305mm
Weight	144 lbs	65.3 kg

### TOOLS INCLUDE:

- Steel Core Tire levers (2)
- Headset/Pedal wrench (15mm/32mm)
- 8mm/10mm cone wrench
- 9mm/11mm cone wrench
- 6' Phillips Screwdriver on swivel connector
- 6' Flat Screwdriver on swivel connector
- Hex Key Set on swivel connector
- Torx T-25 on swivel connector



Proud

Classic Displays

Right for you since 1977

# CLASSIC BIKE REPAIR STATION

## Installation

### Tools and Hardware Required:

- Hammer Drill
- Masonry Bit
- Expanding concrete/wedge anchor (stainless steel recommended) with locking nut

### Instructions

- Drill ½" deeper than anchor will penetrate
  - Deeper anchor will offer better hold
- Drill hole in concrete equal to diameter of anchor
  - Depth of Wedge Anchor = Thickness of material fastened + Minimum embedment
  - Leave space for nut and washer
- Insert wedge anchor into concrete
  - Turn nut clockwise while pulling the anchor up
  - Wedge clip between anchor & concrete

### Notes:

- Do not install anchor within 10 anchor diameters of other anchor, or within 5 anchor diameters of unsupported edge
- Base is pre-drilled for easy surface mounting
- Install on even concrete surface

When installing tamper-proof hardware, place on opposite diagonal sides of mounting plate/flange.

As per AODA standards, all street furniture should be mounted to one side of the path not to inhibit free movement of persons who have visual limitations or who use mobility aids. All units should be installed in so they shall not encroach on minimum walkway width of 60" (1500mm) when units are in use.

### Minimum Clearance (in addition to minimum walkway width of 60" or 1500mm)

- Front of Unit: 60" (1500mm)
- Rear of Unit: 12" (300mm)
- Both sides of unit: 48" (1200mm)
- Minimum clearance from bike pump: 6" (150mm)
- Recommended clearance from wheel chock: 12" (300mm)



**Classic Displays**

Proud Right for you since 1977

# CLASSIC BIKE REPAIR STATION

## Warranty

Classic Displays warrants to the original owner of a Classic Displays product that the product they receive will be free from defective workmanship and materials when subjected to proper and normal uses. The warranty period shall apply as follows:

- Six (6) years on all non-moving parts,
- One (1) year on Bike Repair Station tools and Stainless Steel Cables

### Limitations of Liability

Classic Displays warrants that should defects occur with a Classic Displays product, the company herein recognizes that it will produce a replacement product and ship it to the original owner at no charge. Classic Displays shall not be liable for any consequential damages that the product may receive through incorrect usage, vandalism, adverse environment conditions, excessive use of salt, or used in conjunction with other materials harmful to the product.

In the event that defective materials are received, please advise us our office immediately to expedite replacement materials.

Acceptance of Merchandise: Claims of products that are lost or damaged in transit are the responsibility of the customer in reporting the claim. When accepting shipment, missing cartons or visible damage must be noted on the carrier's bill of lading/receipt of delivery, and reported to our office. Claims must be filed with the delivering carrier as soon as possible or may result in refusal of claim by the carrier.

## Maintenance

Clean unit and tools using non-abrasive soft cloth with a solution of mild soap and warm water.

### To replace tools:

- Remove sticker from front plate of tool box, and unfasten security nut with provided security nut tool.
- Remove front plate, and remove stainless steel cable of tool requiring replacement.
- Insert new stainless steel cable with attached tool and reattach front plate with security nuts using security nut tool.
- Reapply new sticker.

The Classic Bike Repair Station is a durable public use commercial grade product, with heavy-duty tools and attachments designed to perform for many seasons in all weather conditions. Like all public use repair stands, ongoing maintenance is required, including replacing tools from time to time due to misuse. It is impossible to predict frequency of tool replacements, however it is reasonable to expect to replace a few tools every year. Average cost of a tool is approximately \$20.00 CAD + HST & Shipping. Replacement tools (and stickers) are readily available and can in most cases, can be shipped by courier within 1 business day.



**Classic Displays**

Right for you since 1977