

U24 Bike Rack



Available in 3 tube/pipe sizes, 3 finishes, and 3 mounting options, the U24 Rack is a simple, practical, and cost-effective bike parking solution for two bicycles. The U24 stands at 24" in width and 34.5" in height when surface mounted or mounted in-ground, topping at 35.7" in height when mounted to the versatile rail system.

The U24 offers ample security using Schedule 40 pipe with both 1.9" and 2.38" diameter models, or select the 2" square tube with .188" wall thickness for added security. All pipe sizes are available in natural galvanized, powder coated, or marine grade 316 stainless steel finish. For added customization, a lean bar or a custom-cut laser panel is also available. The custom panel can be personalized with virtually any logo or message, with a custom coloured insert available upon request.

The simple design of the U24 allows bike parking areas to be created with virtually unlimited configurations, from a single free-standing rack, to a bike corral where 3-6 racks are connected to a rail system, or a high density/capacity interior or exterior bike parking area with a capacity for 100's of bicycles.

The U24 meets APBP bike parking standards as an intuitive bike rack providing two points of contact with the frame, allowing a single U-lock to capture one wheel and one section of the bike frame. The U24 is also available in a smaller 20" width (see the U20), or a larger 30" width (see the U30).



Classic Displays

Right for you since 1977

U24 Bike Rack

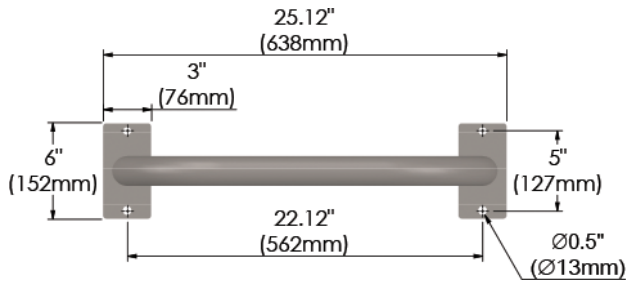


Features:

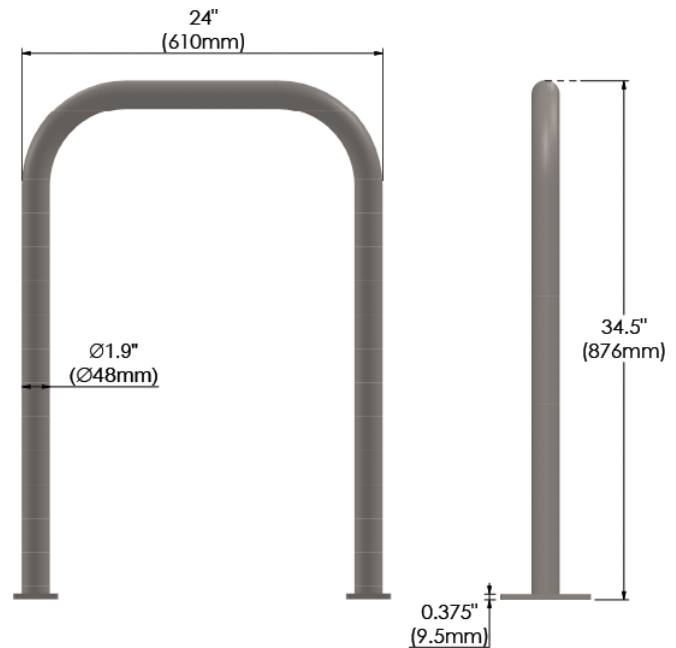
- Indoor/Outdoor Application
- Pre-Drilled for Surface/Rail Mounting
- 3/8" Thick Steel Feet (Surface Mount)
- Optional Lean Bar
- Optional Custom Laser Cut Panel
- Optional Powder Coat Paint Colours

Materials:

- Galvanized/Zinc-Plated Steel or
- A316 Marine Grade Stainless Steel



Surface Mount



In-Ground Mount

Length	24.6-25.1"	625-638mm	24"	610mm
Width	6"	152mm	1.9-2.38"	48-57mm
Height	34.5"	876mm	44.3"	1125mm
Baseplate	.375"	9.5mm	N/A	N/A
Mounting Holes	0.5"	13mm	N/A	N/A
Weight Range	22-40lbs	10-19kg	23-43.7lbs	10.4-19.8kg

To Specify:

- Surface/Rail or In-Ground Mount
- Tube Size (1.9" Round, 2.38" Round, or 2" Square)
- Galvanized, Powder Coat, or Stainless Steel Finish
- Optional Lean Bar or Custom Panel
- Optional Paint Colours



Classic Displays
Proud Right for you since 1977

U24 Bike Rack

Installation

Tools and Hardware Required:

- Hammer Drill/Core Drill
- Masonry Bit
- Expanding concrete/wedge anchor (stainless steel recommended) with locking nut (For Surface Mount Installation)
- Grout and Level (For In-Ground Installation)

Surface Mount Installation:

- Drill 1/2" deeper than anchor will penetrate
- Deeper anchor will offer better hold
- Drill hole in concrete equal to diameter of anchor
- Depth of Wedge Anchor = Thickness of material fastened + Minimum embedment
- Leave space for nut and washer
- Insert wedge anchor into concrete
- Turn nut clockwise while pulling the anchor up
- Wedge clip between anchor & concrete

Notes:

- Do not install anchor within 10 anchor diameters of other anchor, or within 5 anchor diameters of unsupported edge
- Base is pre-drilled for easy surface mounting (recommended)
- Install on even concrete surface

In-Ground Bike Rack Installation:

- Drill 4" diameter holes 10" deep into surface
- Insert Bike Rack into holes, and ensure rack is level
- Once bike rack is level, fill hole with epoxy grout
- Hold rack in level position until the grout has set



Classic Displays

Proud Right for you since 1977

U24 Bike Rack

Warranty

Classic Displays Site Furniture Warranty Statement

Classic Displays warrants to the original owner of a Classic Displays product for five years from the date of substantial completion, that the product they receive will be free from defective workmanship and materials when subjected to proper and normal uses.

Limitations of Liability

Classic Displays warrants that should defects occur with a Classic Displays product, the company herein recognizes that it will produce a replacement product and ship it to the original owner at no charge. Classic Displays shall not be liable for any consequential damages that the product may receive through incorrect usage, adverse environment conditions, or used in conjunction with materials harmful to the product.

In the event that defective materials are received, please advise us our office immediately to expedite replacement materials.

* **Acceptance of Merchandise:** Claims of products that are lost or damaged in transit are the responsibility of the customer in reporting the claim. When accepting shipment, missing cartons or visible damage must be noted on the carrier's bill of lading/receipt of delivery, and reported to our office. Claims must be filed with the delivering carrier as soon as possible or may result in refusal of claim by the carrier.

Maintenance

Wash with Soap and Water

- Mix 1/4 cup dish soap in a gallon of hot (not scalding) water.
- Scrub the metal surface with firm, circular strokes using a soft-bristled brush.
- Rinse this off thoroughly with hot water and then wipe it dry using a lint-free cloth.

Clean Off Hard Water

- Create a solution of equal parts white distilled vinegar and water.
- Rub the solution into the metal with a soft cloth or spray with a spray bottle.
- Dry with a cloth.

Neutralize Alkaline Deposits (Galvanized Steel)

- Mix one part baby powder with two parts milk.
- Use a toothbrush to apply this solution to the metal surface.
- Rinse off and dry thoroughly.



Classic Displays

Right for you since 1977