

WALL MOUNT



The Wall Mount bike rack provides secure individual bike storage in a 2' x 4' footprint. Made from corrosion-resistant steel, the Wall Mount bike rack is suitable for both indoor and outdoor applications. Simple and user-friendly, the unit features an ergonomic sliding handle allowing users to secure their bike in one single motion. The angled horizontal bars ensure that bicycles can be securely locked to both the wheel and frame using a traditional U-Lock. The Wall Mount bike rack comes in standard galvanized steel, or can be finished with optional powder-coated paint.



Proud

Classic Displays

Right for you since 1977

WALL MOUNT

Product Data Sheet

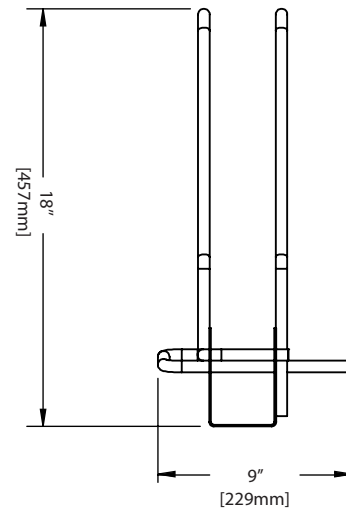
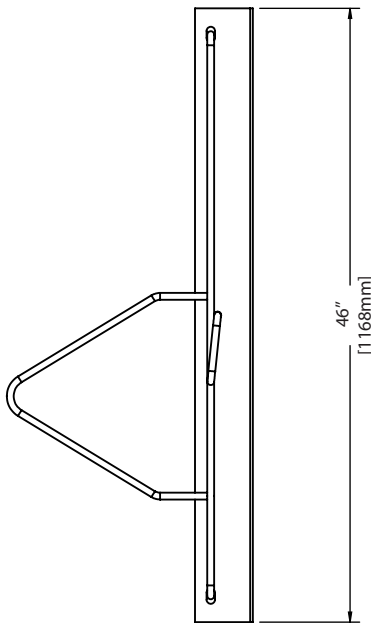


MATERIALS

- Zinc Plated or Galvanized Steel

FEATURES

- Indoor/outdoor Application
- Ergonomic Sliding Handle
- Designed For Locking Wheel And Frame Using U-lock
- Powdercoat Black Or Natural Galvanized Finish
- Optional Paint Colours Available



Height	46"	1168mm
Width	9"	229mm
Depth	18"	457mm
Weight	25 lbs	11.33 kg

TO SPECIFY

- Powdercoat Black Or Natural Galvanized Finish
- Optional Paint Colour



Classic Displays

Proud Right for you since 1977

info@classicdisplays.com · 1-800-461-6635 · www.classicdisplays.com · 5959 Ambler Drive · Mississauga ON · L4W 2K2

WALL MOUNT

Installation

- For pre-drilled Bike Rack

Tools and Hardware Required:

- Hammer Drill
- Masonry Bit
- Expanding concrete/wedge anchor (stainless steel recommended) with locking nut

Instructions

- Drill ½" deeper than anchor will penetrate
 - Deeper anchor will offer better hold
- Drill hole in concrete equal to diameter of anchor
 - Depth of Wedge Anchor = Thickness of material fastened + Minimum embedment
 - Leave space for nut and washer
- Insert wedge anchor into concrete
 - Turn nut clockwise while pulling the anchor up
 - Wedge clip between anchor & concrete

Notes:

- Do not install anchor within 10 anchor diameters of other anchor, or within 5 anchor diameters of unsupported edge
- Base is pre-drilled for easy surface mounting (recommended)
- Can also be installed free-standing
- Install on even concrete surface



Classic Displays

Proud Right for you since 1977

WALL MOUNT

Warranty

Classic Displays Site Furniture Warranty Statement

Classic Displays warrants to the original owner of a Classic Displays product for five years from the date of substantial completion, that the product they receive will be free from defective workmanship and materials when subjected to proper and normal uses.

Limitations of Liability

Classic Displays warrants that should defects occur with a Classic Displays product, the company herein recognizes that it will produce a replacement product and ship it to the original owner at no charge. Classic Displays shall not be liable for any consequential damages that the product may receive through incorrect usage, adverse environment conditions, or used in conjunction with materials harmful to the product.

In the event that defective materials are received, please advise us our office immediately to expedite replacement materials.

* **Acceptance of Merchandise:** Claims of products that are lost or damaged in transit are the responsibility of the customer in reporting the claim. When accepting shipment, missing cartons or visible damage must be noted on the carrier's bill of lading/receipt of delivery, and reported to our office. Claims must be filed with the delivering carrier as soon as possible or may result in refusal of claim by the carrier.

Maintenance

Wash with Soap and Water

- Mix 1/4 cup dish soap in a gallon of hot (not scalding) water.
- Scrub the metal surface with firm, circular strokes using a soft-bristled brush.
- Rinse this off thoroughly with hot water and then wipe it dry using a lint-free cloth.

Clean Off Hard Water

- Create a solution of equal parts white distilled vinegar and water.
- Rub the solution into the metal with a soft cloth or spray with a spray bottle.
- Dry with a cloth.

Neutralize Alkaline Deposits (Galvanized Steel Surfaces)

- Mix one part baby powder with two parts milk.
- Use a toothbrush to apply this solution to the metal surface.
- Rinse off and dry thoroughly.



Classic Displays

Right for you since 1977