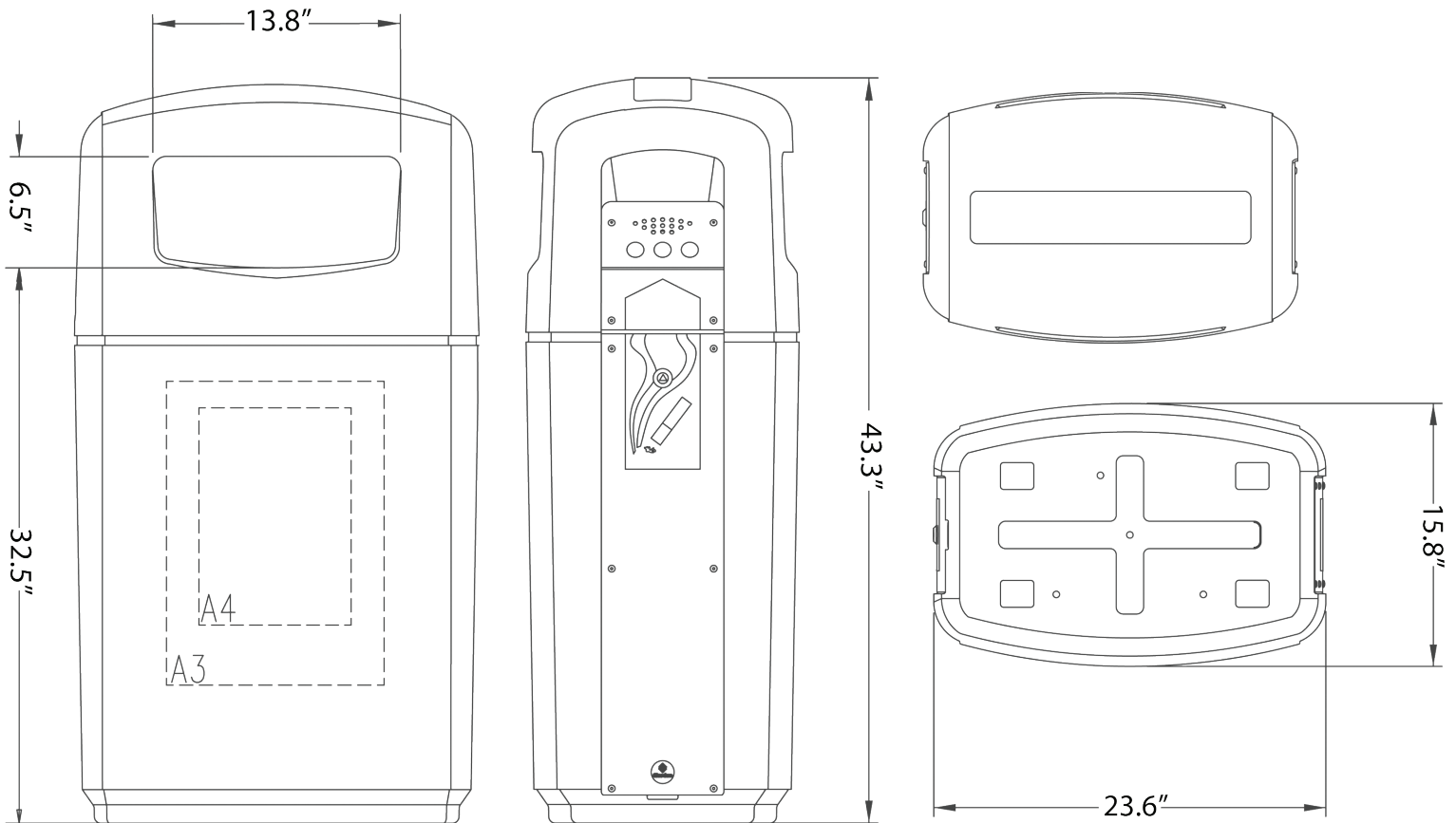




CLASSIC DISPLAYS
 5959 AMBLER DRIVE
 MISSISSAUGA, ON L4W2K2
 TOLL FREE: 1 800 461 6635
 PHONE: 905 282 8888
 FAX: 905 282 1832
 www.classicdisplays.com

AVAILABLE COLOURS

- | | |
|------------------------------------|-------------------------------------|
| <input type="checkbox"/> MILLSTONE | <input type="checkbox"/> DARK BLUE |
| <input type="checkbox"/> SANDSTONE | <input type="checkbox"/> DEEP GREEN |
| <input type="checkbox"/> GRANITE | <input type="checkbox"/> BLACK |



MATERIALS AND ELEMENTS:

- DURAPOL POLYMER BIN BODY
- ZINC COATED STEEL ASH AND LITTER LINER/ 23.8 GAL. UNIT CAPACITY
- BRUSHED STAINLESS STEEL ASH GRILL, LOCK PLATE, END PANELS AND STUBBER PLATE

NOTES:

1. INSTALLATION TO BE COMPLETED ACCORDING TO MANUFACTURER'S SPECIFICATIONS
2. ALL DIMENSIONS ARE TRUE AND REFLECT MANUFACTURER'S SPECIFICATIONS
3. NOT TO SCALE DRAWING



WASTE RECEPTACLES
 INTEGRO